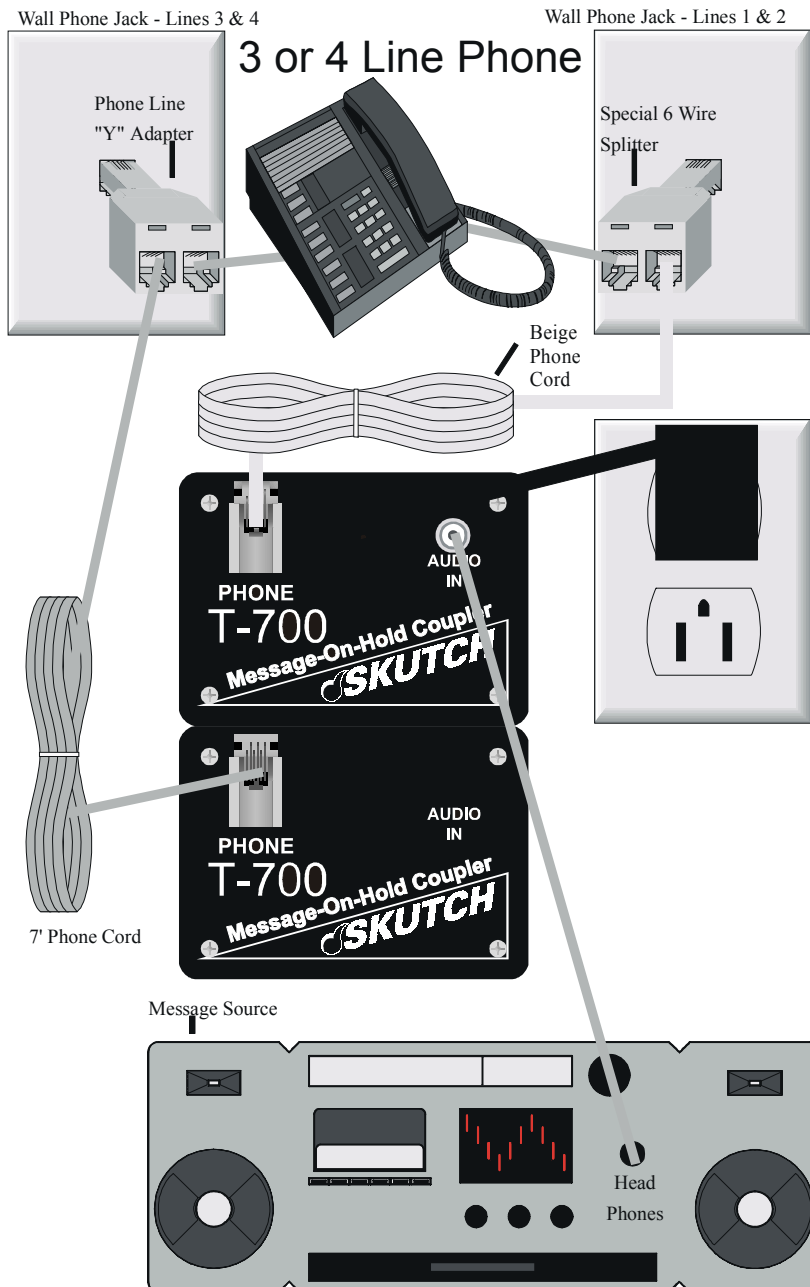


## • Installation

Connect the unit as follows:



## • Operation

### • To place a call on hold

Press and then HOLD. The caller will hear the audio source that you have connected to the adapter.

### • To release the hold condition

Pick up any phone that is connected to that line, then press , and the adapter will release the call.

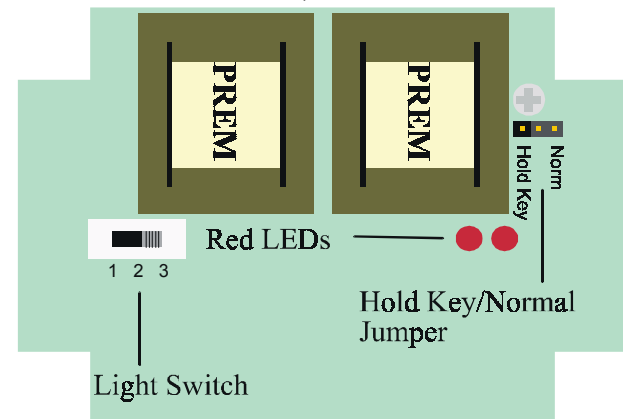
## • Troubleshooting Guide

Open the lid by removing the 4 Phillips head screws; you will see the circuit board (see below).

### • No Audio

Open both lids, pick up the phone and press . One of the red LEDs in the T-700-4, (see below) should light. Audio should be heard through the ear piece of the telephone. If no audio is heard check the following:

- Make sure the audio source is playing.
- Make sure the volume on the audio source is turned up.
- Make sure the audio cable is connected from the headphone output of the audio source, to the audio jack on the T-700-4. Make sure the type of jacks on the cable are the correct type. (male phono or RCA for the T-700-4).



- **Tech Support - 916-786-6186**

If you have any problems getting the unit to work properly feel free to give us a call. Technical Support is available between the hours of 7:30 AM and 4:30 PM Pacific Time, Monday through Friday.

- **ONE YEAR LIMITED WARRANTY**

This SKUTCH PRODUCT is warranted against defects for a period of one (1) year from the date of the original invoice. Within this period, we will repair it without charge for parts and labor. To obtain warranty service the product must be returned, at the customer's expense, to SKUTCH Electronics along with a copy of the original invoice. After the unit has been repaired, SKUTCH will ship the PRODUCT back via UPS GROUND service at our expense. If any other form of return shipment is requested, the customer will pay for 100% of the shipping cost.

This Warranty does not apply if in the sole opinion of SKUTCH Electronics, the PRODUCT has been damaged by lightning or any other Acts of God, or by accident, misuse, neglect, or improper packing, shipping, modification or servicing by other than an authorized SKUTCH Service Center.

EXCEPT AS SPECIFICALLY PROVIDED IN THIS AGREEMENT, THERE ARE NO OTHER WARRANTIES, EXPRESSED OR IMPLIED, INCLUDING, BUT NOT LIMITED TO, ANY IMPLIED WARRANTIES OR MERCHANTABILITY OR FITNESS FOR A PARTICULAR PURPOSE AND IN NO EVENT SHALL SKUTCH ELECTRONICS BE LIABLE FOR LOSS OF PROFITS OR BENEFITS, INDIRECT, SPECIAL, CONSEQUENTIAL OR OTHER SIMILAR DAMAGES ARISING OUT OF ANY BREACH OF THIS WARRANTY OR OTHERWISE.



"Telecommunication Products to solve Telecommunication Problems"



# T-700-4 "Touch Tone" 4 Line Promotion On Hold Adapter Version 5.0